



■ Features :

- Three-Phase AC 340 ~ 550V wide range input
- High efficiency 89% and low dissipation
- Protections: Short circuit / Overload / Over voltage / Over temperature
- Cooling by free air convection
- Built-in constant current limiting circuit
- Can be installed on DIN rail TS-35/7.5 or 15
- UL 508(industrial control equipment)approved
- EN61000-6-2(EN50082-2) industrial immunity level
- 100% full load burn-in test
- Fixed switching frequency at 70KHz
- 3 years warranty

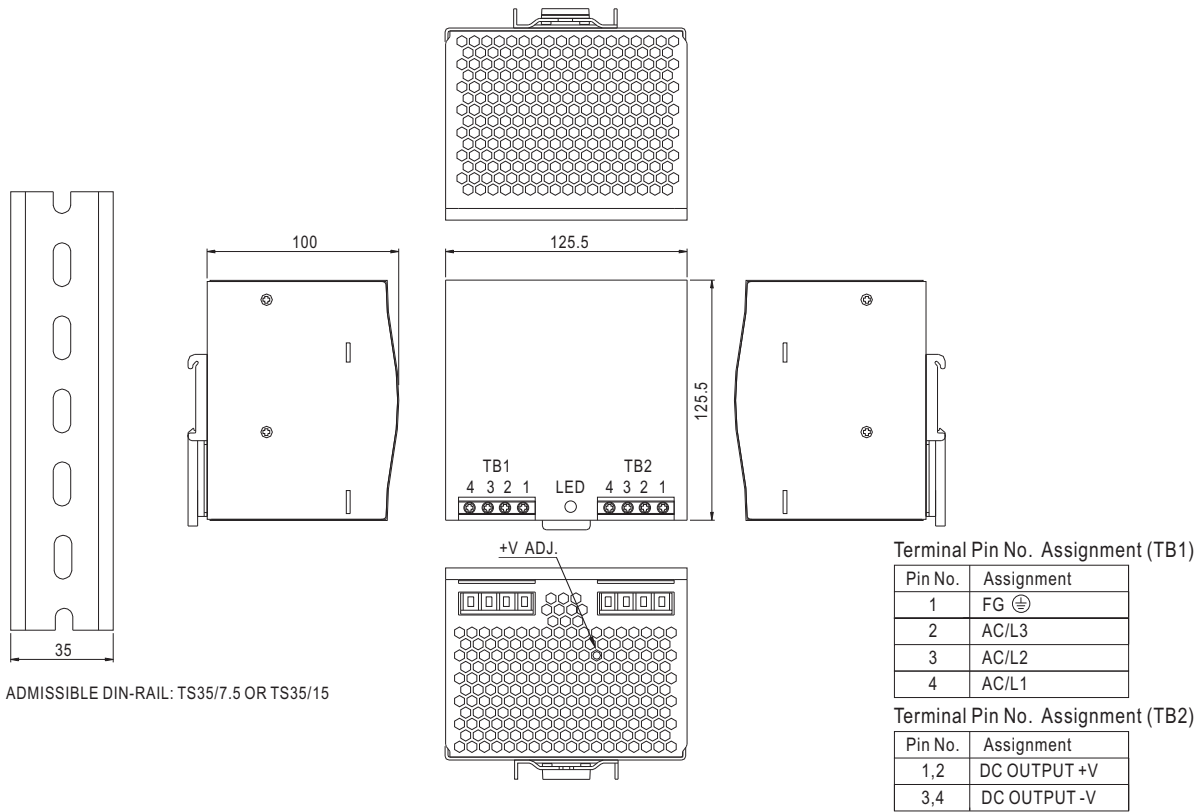


**SPECIFICATION**

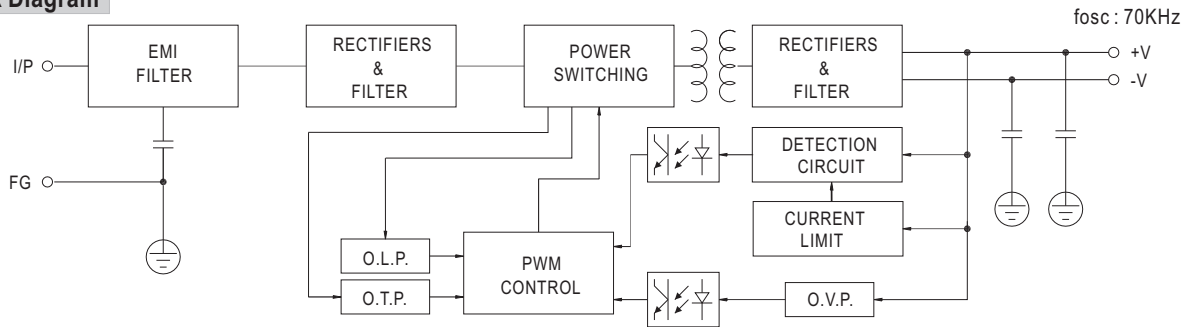
| MODEL                     | DRT-240-24   | DRT-240-48   |              |
|---------------------------|--|--|--------------|
| OUTPUT                    | DC VOLTAGE   | 24V  | 48V          |
|                           | RATED CURRENT  | 10A  | 5A           |
|                           | CURRENT RANGE  | 0 ~ 10A  | 0 ~ 5A       |
|                           | RATED POWER  | 240W   | 240W         |
|                           | RIPPLE & NOISE (max.) Note.2   | 80mVp-p  | 80mVp-p      |
|                           | VOLTAGE ADJ. RANGE   | 24 ~ 28V   | 48 ~ 55V     |
|                           | VOLTAGE TOLERANCE Note.3   | ±1.0%  | ±1.0%        |
|                           | LINE REGULATION  | ±0.5%  | ±0.5%        |
|                           | LOAD REGULATION  | ±0.5%  | ±0.5%        |
| SETUP, RISE, HOLD UP TIME | 1200ms, 40ms, 20ms/400VAC  | 800ms, 40ms, 40ms/500VAC at full load  |              |
| INPUT                     | VOLTAGE RANGE Note.5   | Three-Phase 340 ~ 550VAC (Dual phase operation possible)   | 480 ~ 780VDC |
|                           | FREQUENCY RANGE  | 47 ~ 63Hz  |              |
|                           | EFFICIENCY (Typ.)  | 89%  |              |
|                           | AC CURRENT   | 0.95A/400VAC 0.75A/500VAC  |              |
|                           | INRUSH CURRENT (max.)  | COLD START 50A   |              |
|                           | LEAKAGE CURRENT  | <3.5mA / 530VAC  |              |
| PROTECTION                | OVERLOAD   | 105 ~ 150% rated output power<br>Protection type : Constant current limiting, recovers automatically after fault condition is removed              |              |
|                           | OVER VOLTAGE   | 30 ~ 36V<br>Protection type : Shut down o/p voltage, re-power on to recover  | 59 ~ 66V     |
|                           | OVER TEMPERATURE   | 100°C ±5°C (TSW) detect on heatsink of power switch<br>Protection type : Shut down o/p voltage, recovers automatically after temperature goes down |              |
| ENVIRONMENT               | WORKING TEMP.  | -20 ~ +70°C (Refer to "Derating Curve")  |              |
|                           | WORKING HUMIDITY   | 20 ~ 90% RH non-condensing   |              |
|                           | STORAGE TEMP., HUMIDITY  | -40 ~ +85°C, 10 ~ 95% RH   |              |
|                           | TEMP. COEFFICIENT  | ±0.03%/°C (0 ~ 50°C)   |              |
|                           | VIBRATION  | 10 ~ 500Hz, 2G 10min./1cycle, 60min. each along X, Y, Z axes; Mounting: Compliance to IEC60068-2-6   |              |
| SAFETY & EMC (Note 4)     | SAFETY STANDARDS   | UL508, UL60950-1, TUV EN60950-1 approved   |              |
|                           | WITHSTAND VOLTAGE  | I/P-O/P:3KVAC I/P-FG:1.5KVAC O/P-FG:0.5KVAC  |              |
|                           | ISOLATION RESISTANCE   | I/P-O/P, I/P-FG, O/P-FG:100M Ohms / 500VDC / 25°C / 70% RH   |              |
|                           | EMC EMISSION   | Compliance to EN55011 (CISPR11), EN55022 (CISPR22), EN61204-3 Class B  |              |
|                           | EMC IMMUNITY   | Compliance to EN61000-4-2,3,4,5,6,8,11, EN61204-3, EN61000-6-2 (EN50082-2), heavy industry level, criteria A                                       |              |
| OTHERS                    | MTBF   | 114.6K hrs min. MIL-HDBK-217F (25°C)   |              |
|                           | DIMENSION  | 125.5*125.2*100mm (W*H*D)  |              |
|                           | PACKING  | 1.3Kg; 12pcs/16.6Kg/1.29CUFT   |              |
| NOTE                      | <ol style="list-style-type: none"> <li>1. All parameters NOT specially mentioned are measured at 400VAC input, rated load and 25°C of ambient temperature.</li> <li>2. Ripple &amp; noise are measured at 20MHz of bandwidth by using a 12" twisted pair-wire terminated with a 0.1uf &amp; 47uf parallel capacitor.</li> <li>3. Tolerance : includes set up tolerance, line regulation and load regulation.</li> <li>4. The power supply is considered a component which will be installed into a final equipment. The final equipment must be re-confirmed that it still meets EMC directives.</li> <li>5. Dual phase operation: derating of 20% is required.</li> </ol> |  |              |

Case No. 922A Unit:mm

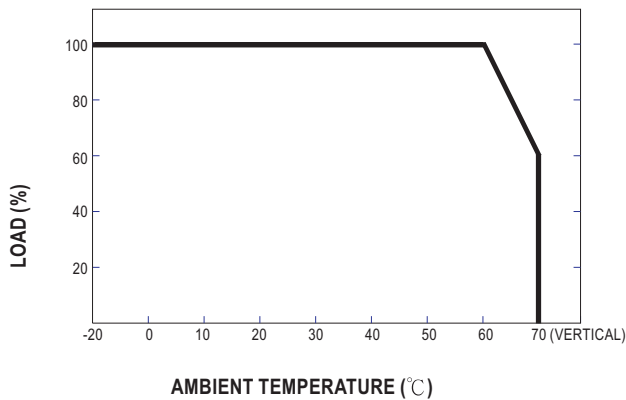
**Mechanical Specification**



**Block Diagram**



**Derating Curve**



**Static Characteristics**

